

Series KTV

Open type
For grinding fluid, cutting fluid and others

ON/OFF control method
ON/OFF

Cools grinding fluid

Cools cutting fluid

Other

Options implemented

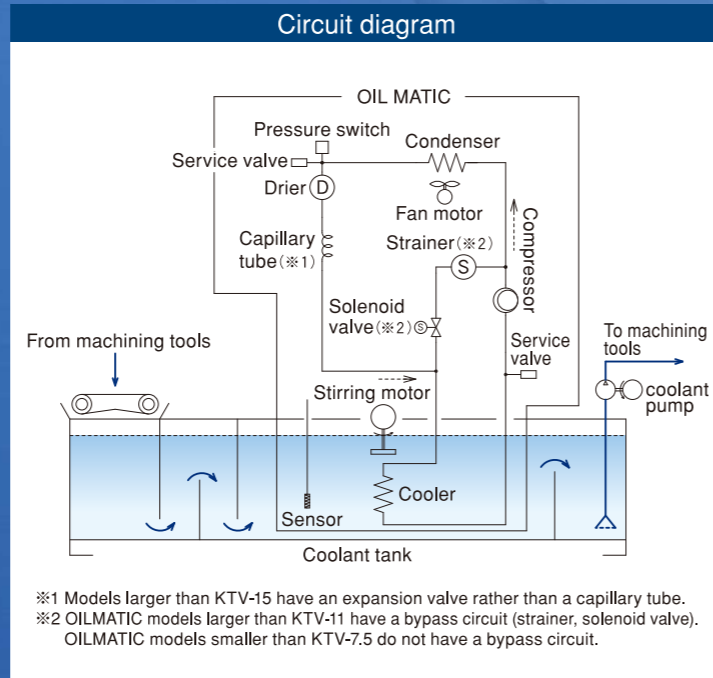
With heater

Tropical (passing) treatment

Water-cooled condenser specifications

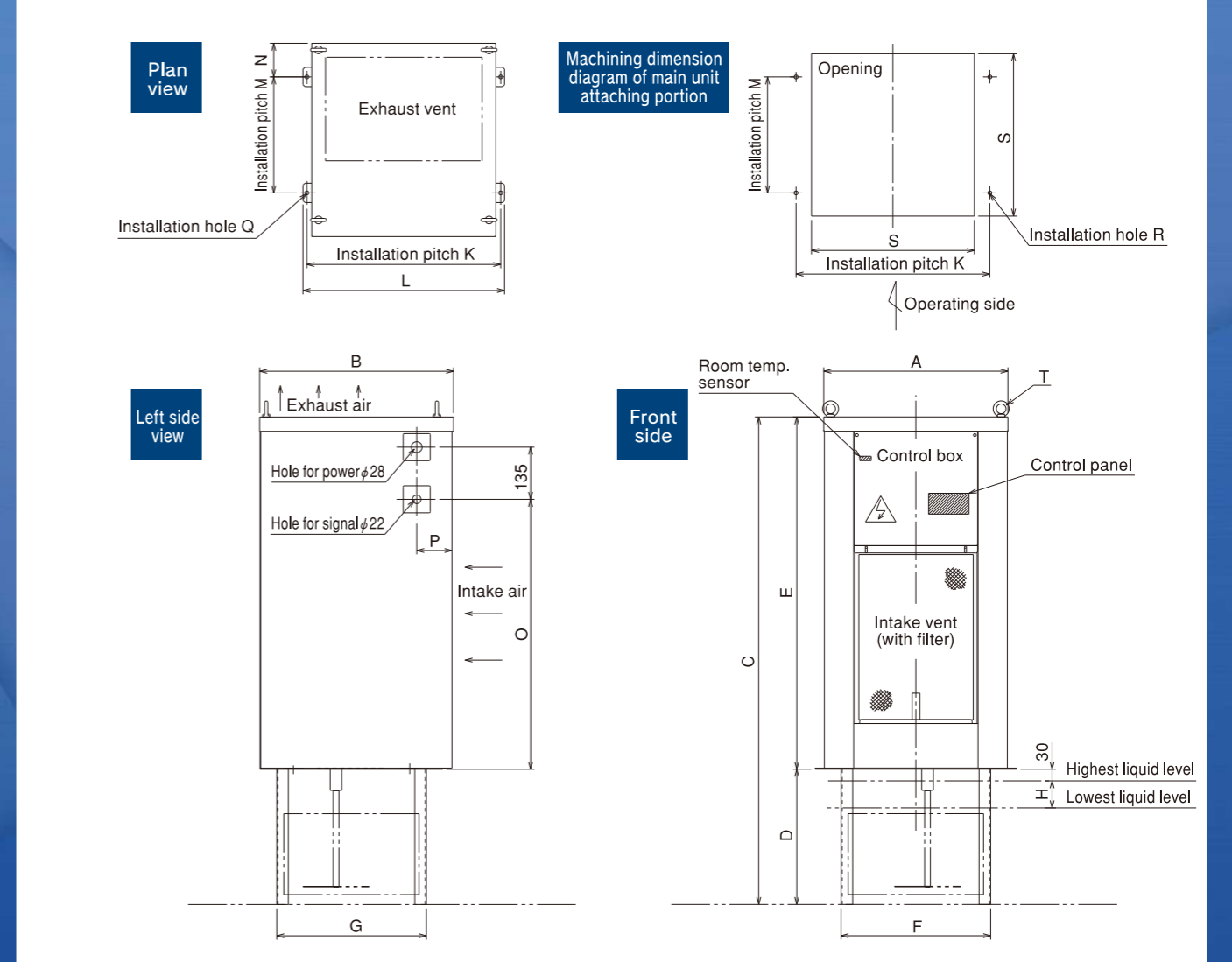
規格対応
Standard compliant

*For other special specifications please contact our sales representatives.



Dimensions

Dimension M does not apply to models KTV-3, since they have only one installation hole on each side. Instead, dimension N applies to this model.



Model	KTV-3	KTV-5	KTV-7.5	KTV-11	KTV-15	KTV-22	KTV-38 Note:
Effective cooling capacity[W](50/60Hz) ※1	1160/1390	1450/1740	2900/3480	3720/4460	4830/5810	7260/8720	12200/14650
Nominal chiller capacity[W]	400	500	750	1100	1500	2200	3750
Refrigerant used	R-407C						
Refrigerant capacity[g]	620	740	1020	1440	1900	3400	4500
Power source	AC200V 50/60Hz, AC220V 60Hz 3Ph						
Maximum operating current[A]	3	5	8	10	13	16	30
Temperature regulator Setting range	Follow-up type ...reference temperature-9.9~9.9°C						
	Constant type...5~45°C						
Range of ambient temperature[°C]	5~45						
Range of liquid temperature[°C]	5~45						
Fluid to use	Coolant liquid, water, etc.						
Heating capacity (kW) ※2	0.5	1	2	4			
Weight[kg]	55	60	80	100	130	160	230

Size list	A	B	C	D	E	F	G	H	K	L	M	N	O	P	Q	R	S	T
KTV-3	355	380	950	300	650	290			380	400	-	185	460	90	2-φ10	2-M8 or φ10	300	2-M10 Eyebolt
KTV-5	410	425	1130		780	307	327		430	450	250	80	575	100			340	
KTV-7.5	475	500	1260	350	910	386		70	500	520	300	87	700	90			420	4-M10 Eyebolt
KTV-11	510	525	1360		1010	460			530	554			785	85	4-φ10	4-M8 or φ10	470	
KTV-15	545	565	1460	420	1040	490			590	614	340	105	825				500	
KTV-22	605	625	1615		1195				650	675	400		980					
KTV-38	735	725	1968	520	1448		550	170	780	810	500	104	1240	95			560	4-M12 Eyebolt

※1 Effective cooling capacity indicates the maximum values within the range of use when oil ISO VG2 or equivalent is used.
 ※2 Only for specifications with heater.
 ※ Specifications may be improved and are subject to change without notice.
 Note: Model KTV-38 uses limited fluid. Please contact us for details.